

## AC CURRENT TRANSFORMER

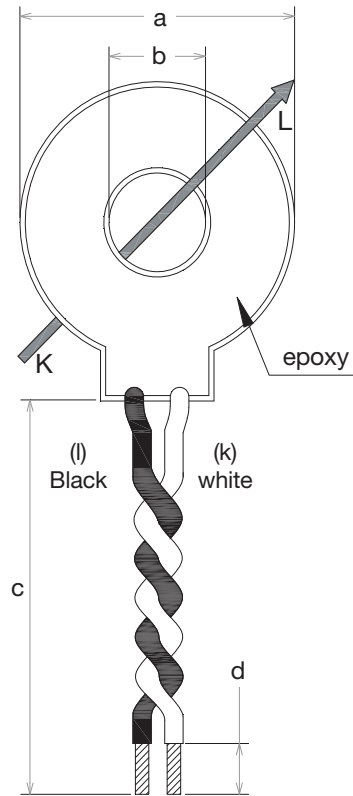
### **CT-040-100, CT-040-250**

Data Sheet

Doc. no. 2.204.041.1.b 03/2023

# TECHNICAL DATA & DIMENSIONS

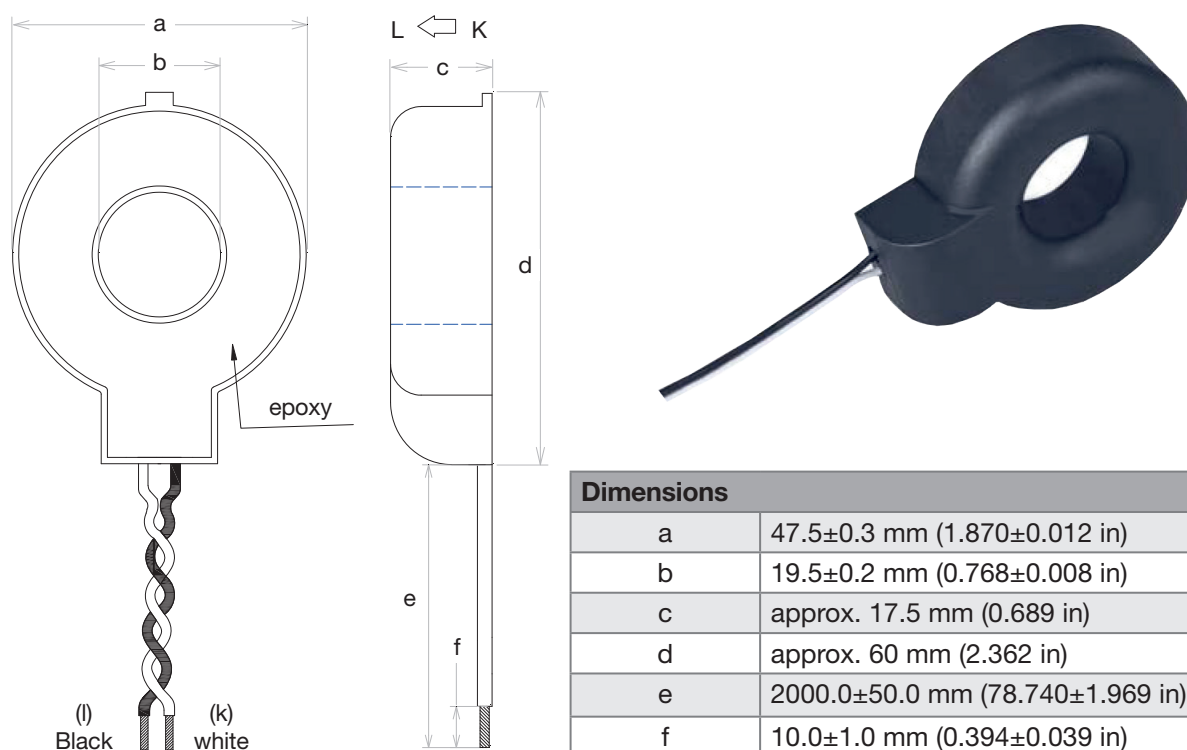
## CT-040-100



Dimensions	
a	37.3±0.5 mm (1.469±0.02 in)
b	12.8±0.3 mm (0.504±0.012 in)
c	2000±50 mm (78.740±1.969 in)
d	10±1 mm (0.394±0.039 in)
e	14.5±0.5 mm (0.571±0.02 in)
f	41.8±0.5 mm (1.646±0.02 in)

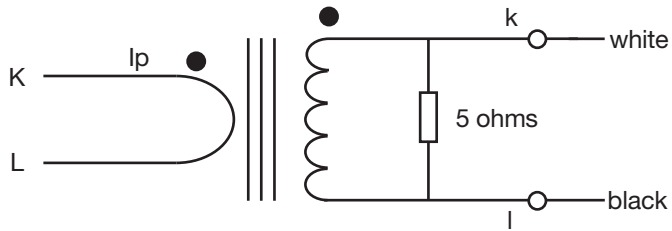
Specification	Data
Primary current	100 A
Round conductor	12.8 mm (0.504 in)
Approx. weight	105 g (0.23 lb)
Output voltage	333 mV
PVC connection wires	18 AWG
Accuracy class	0.5
Frequency	50 - 60 Hz
Insulation voltage	3510 V/5S
Working temperature	-15 °C to 70 °C (5 °F to 158 °F)
Storage temperature	-25 °C to 85 °C (-13 °F to 185 °F)
Standards	RoHS compliant, UL 2808, IEC61010-1
Housing	Solid housing with durable plastic UL 94 V-0
Measurement category	III
Ratio	Np:Ns=1:1500
Phase error at nominal current	≤0.5°
Insulation resistance	DC 500 V / 100 MΩ min

## CT-040-250



Specification	Data
Primary current	250 A
Round conductor	19.5 mm (0.768 in)
Approx. weight	150 g (0.33 lb)
Output voltage	333 mV
PVC connection wires	18 AWG
Accuracy class	0.5
Frequency	50 - 60 Hz
Insulation voltage	7400 Vac/5S
Working temperature	-10 °C to 65 °C (14 °F to 149 °F)
Storage temperature	-25 °C to 85 °C (-13 °F to 185 °F)
Standards	ANSI C57.13, IEC61869-2, RoHS compliant
Housing	Solid housing with durable plastic UL 94 V-0
Measurement category	IV
Ratio	$N_p:N_s=1:3750$
Phase error at nominal current	$\leq 0.5^\circ$
Insulation resistance	DC 500 V / 100 M $\Omega$ min

## CONNECTION



### Applications

Energy measurement products

Load monitoring

Network equipment

Instruments and sensors

Control systems

## OVERVIEW & PART NUMBER

Type	Part number	Primary current	Ø mm (in)	Cable length m (in)	Accuracy class
CT-040-100	1503143	100 A	12.8 (0.504)	2	0.5
CT-040-250	1503144	250 A	19.5 (0.768)	2	0.5

***Janitza***<sup>®</sup>

Janitza electronics GmbH  
Vor dem Polstück 6 | 35633 Lahnau  
Germany

Tel. +49 6441 9642-0  
info@janitza.com | www.janitza.com