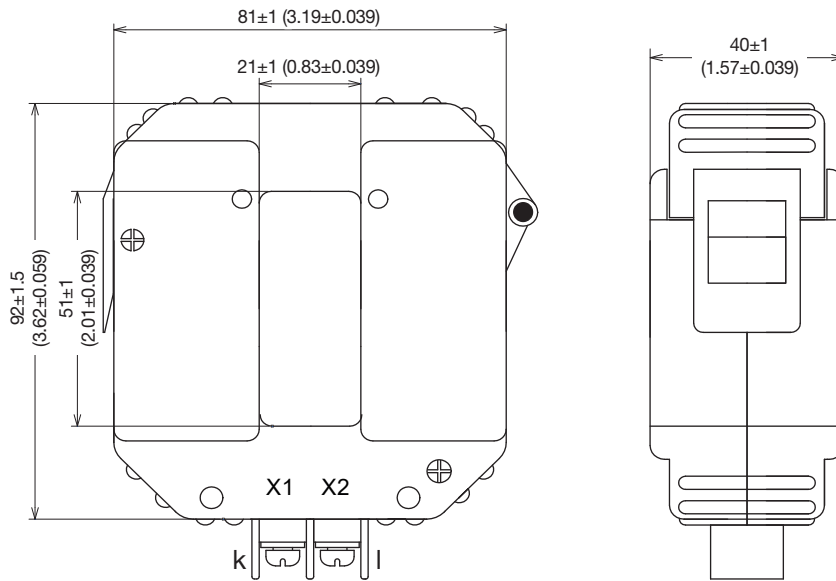


Split Core Low Power Current Transformer

CT-BSC-021
CT-BSC-050
CT-BSC-080

Data sheet

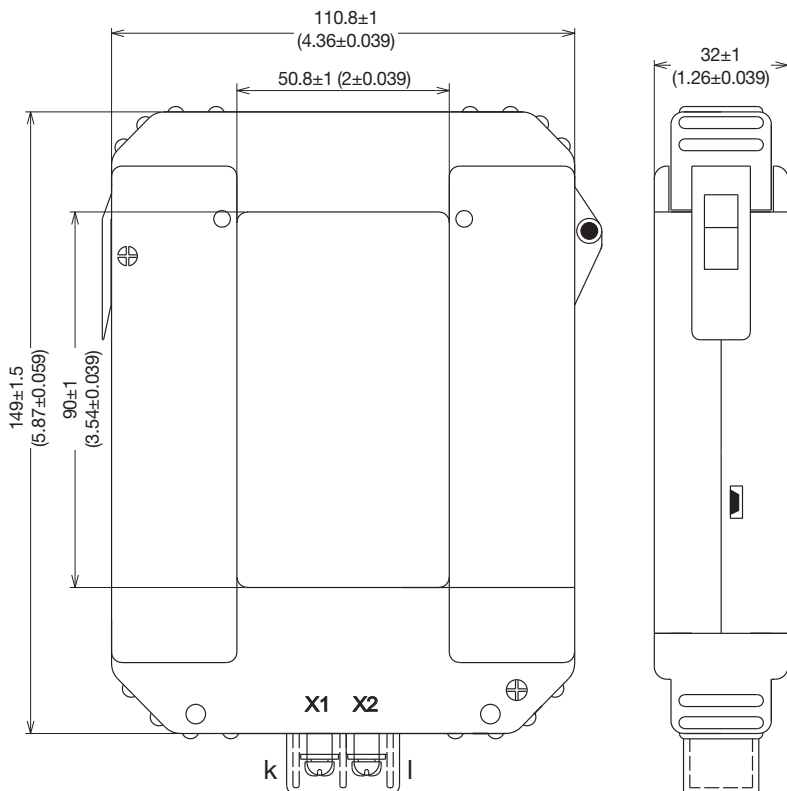
Type	Primary current
CT-BSC-021-000-600	600 A



all dimensions in mm (in)

Specifications	Data
Phase error at nominal current	$\leq 0.5^\circ$
Weight appr.	475 g (1.05 lb)
Output signal	333 mV
Connection	M4 Screw connection
Accuracy class	0.5
Frequency	50 - 60 Hz
Insulation voltage	4.0 kV/1mA/1min
Operating temperature	-40 °C to 65 °C (-40 °F to 149 °F)
Storage temperature	-45 °C to 85 °C (-49 °F to 185 °F)
Standards	ANSI C57.13, IEC61869-2, RoHS compliant
Case	Rigid housing case with UL 94 V-0 durable plastic
Insulation resistance	DC500V/100M Ω min
Carry out primary conductor	21 x 51 mm (0.827 x 2.01 in)

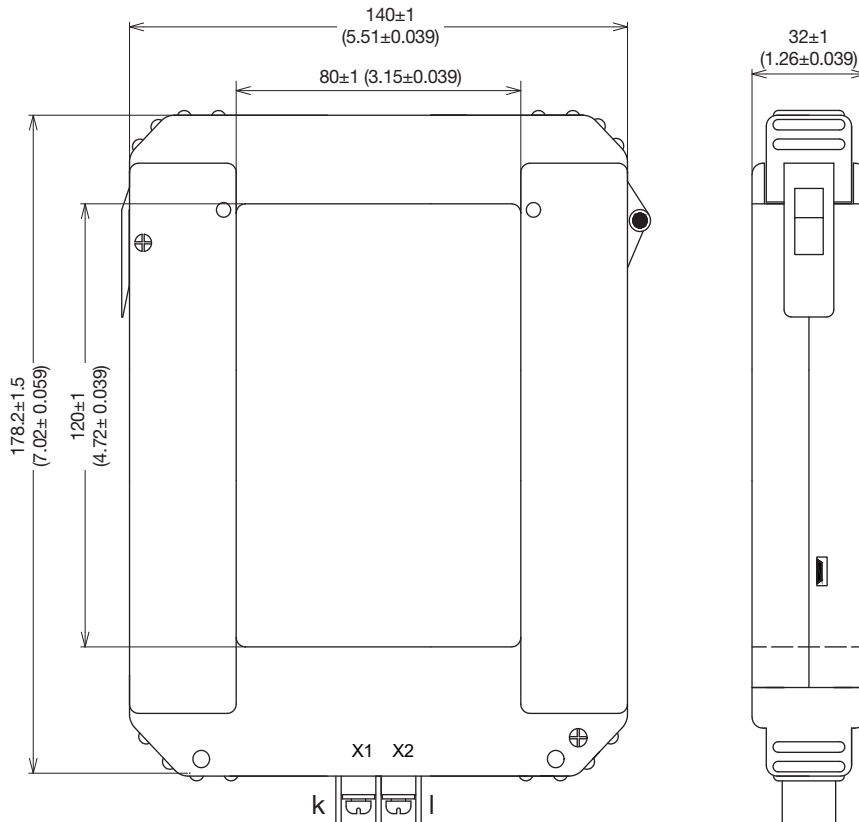
Type	Primary current
CT-BSC-050-000-1200	1200 A



all dimensions in mm (in)

Specifications	Data
Phase error at nominal current	$\leq 0.5^\circ$
Weight appr.	770 g (1.70 lb)
Output signal	333 mV
Connection	M4 Screw connection
Accuracy class	0.5
Frequency	50 - 60 Hz
Insulation voltage	4.0 kV/1mA/1min
Operating temperature	-40 °C to 30 °C (-40 °F to 86 °F)
Storage temperature	-45 °C o 90 °C (-49 °F to 194 °F)
Standards	ANSI C57.13, IEC61869-2, RoHS compliant
Case	Rigid housing case with UL 94 V-0 durable plastic
Insulation resistance	DC500V/100MΩ min
Carry out primary conductor	50.8 x 90 mm (2 x 3.54 in)

Type	Primary current
CT-BSC-080-000-2500	2500 A



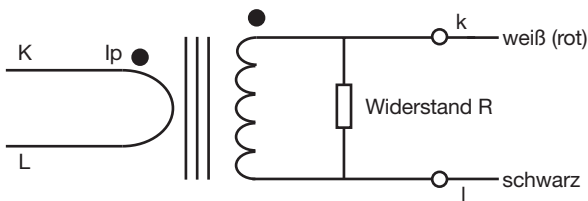
all dimensions in mm (in)

Specifications	Data
Phase error at nominal current	$\leq 0.5^\circ$
Weight appr.	1090 g (12.4 lb)
Output signal	333 mV
Connection	M4 Screw connection
Accuracy class	0.5
Frequency	50 - 60 Hz
Insulation voltage	4.0 kV/1mA/1min
Operating temperature	-40 °C to 30 °C (-40 °F to 86 °F)
Storage temperature	-45 °C to 90 °C (-49 °F to 194 °F)
Standards	ANSI C57.13, IEC61869-2, RoHS compliant
Case	Rigid housing case with UL 94 V-0 durable plastic
Insulation resistance	DC500V/100MΩ min
Carry out primary conductor	80 x 120 mm (3.15 x 4.72 in)

OVERVIEW & ART.NO.

Type	Art. no.	Primary current	Carry out primary conductor mm (in)	Cable length m (in)	Accuracy class
CT-BSC-021-000-600	1503347	600 A	21 x 51 (0.826 x 2.00)	M4 Screw connection	0.5
CT-BSC-050-000-1200	1503348	1200 A	50.8 x 90 (2,00 x 3.54)	M4 Screw connection	0.5
CT-BSC-080-000-2500	1503349	2500 A	80 x 120 (3.15 x 4.72)	M4 Screw connection	0.5

CONNECTION



$$V = \frac{I \times R}{T_e}$$

$$V_L = V_{\max} - \left[\frac{I \times DCR}{T_e} \right]$$

Janitza[®]

Janitza electronics GmbH
Vor dem Polstück 6 | 35633 Lahnau
Germany

Tel. +49 6441 9642-0
info@janitza.com | www.janitza.com