



## Split Core Low Power Current Transformer

CT24-SC-012-200-100/333mV, Cl.0.5

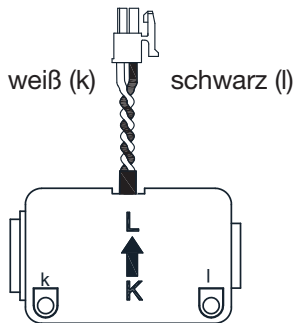
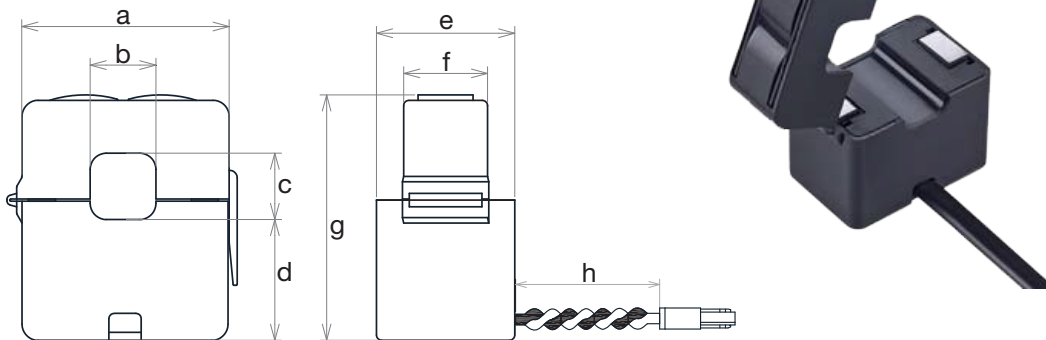
CT24-SC-012-025-100/333mV, Cl.0.5

Data sheet

Doc. no. 2.353.082.1.d 11/2023

# TECHNICAL DATA & DIMENSIONS

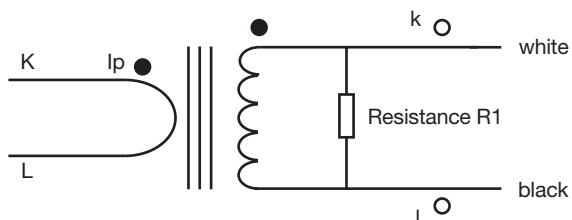
Type	Cable length	Primary current	Item number
CT24-SC-012-200-100/333mV, Cl.0.5	2.0 m (78.74 in)	100 A	1503126
CT24-SC-012-025-100/333mV, Cl.0.5	0.25 m (9.84 in)	100 A	1503129



Letter	Length in mm	Length in inch
a	37.5 ±0.5	1.476 ±0.019
b	12 ±0.3	0.472 ±0.012
c	12.5	0.492
d	22.6	0.890
e	25.5 ±0.5	1.004 ±0.019
f	16.0	0.630
g	49.9 ±0.5	1.965 ±0.019
h	Art. No. 1503126	2000 ±50
	Art. No. 1503129	250 ±20

Specifications		Data
Primary current		100 A
Weight appr.	Art. No. 1503126	80 g (0.18 lb)
	Art. No. 1503129	65 g (0.14 lb)
Output signal		333 mV
PVC wire leads		24 AWG
Accuracy class		0.5
Frequency		50 - 60 Hz
Insulation resistance		DC 500 V/100 M $\Omega$ min
Operating temperature		-40 °C bis 65 °C (-40 °F bis 149 °F)
Storage temperature		-45 °C bis 85 °C (-49 °F bis 185 °F)
Standards		ANSI C57.13, IEC61869-2, RoHS compliant
Case		Solid housing with durable plastic UL 94 V-0
Dielectric strength		2.5 kV/1mA/1min

## CONNECTION



***Janitza***<sup>®</sup>

Janitza electronics GmbH  
Vor dem Polstück 6 | 35633 Lahnau  
Germany

Tel. +49 6441 9642-0  
info@janitza.com | www.janitza.com